

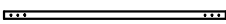



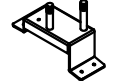

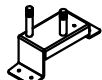
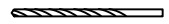

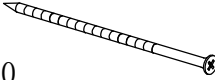
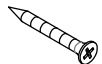


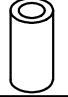

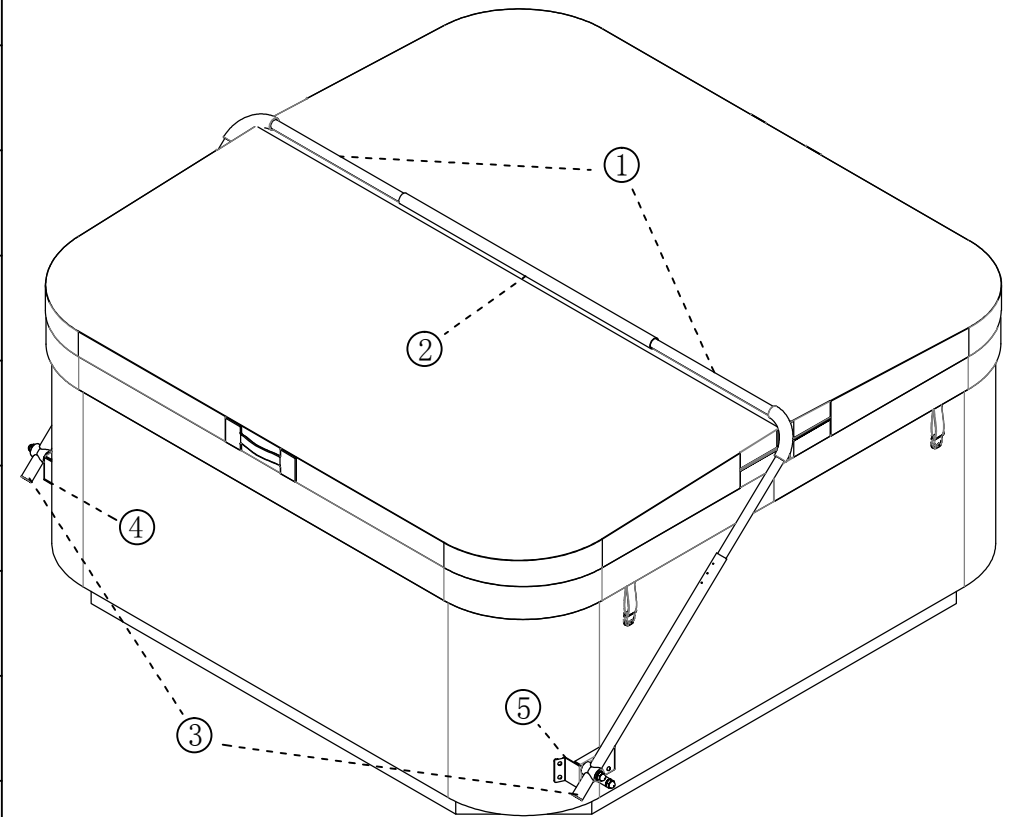
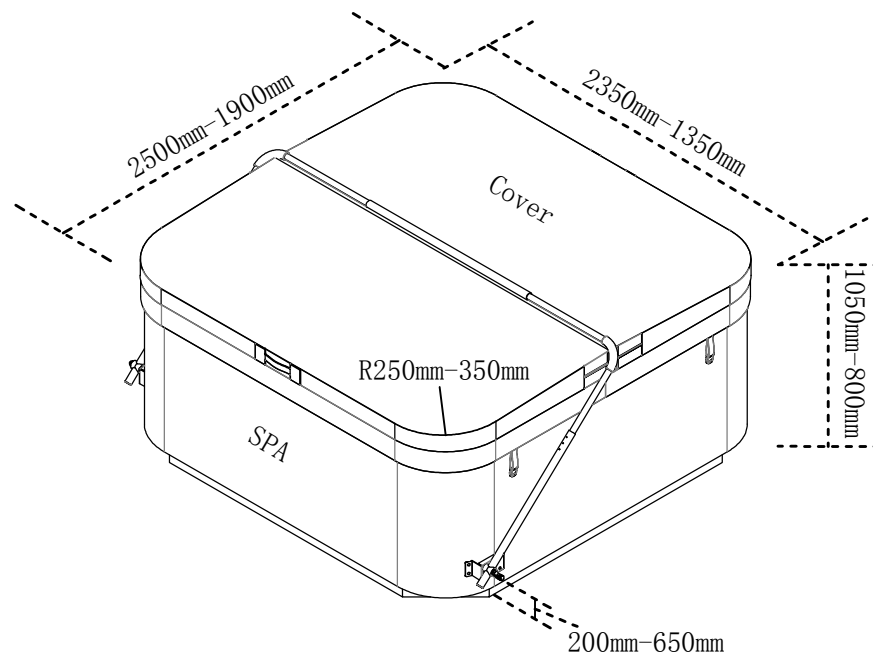


Bill of materials :

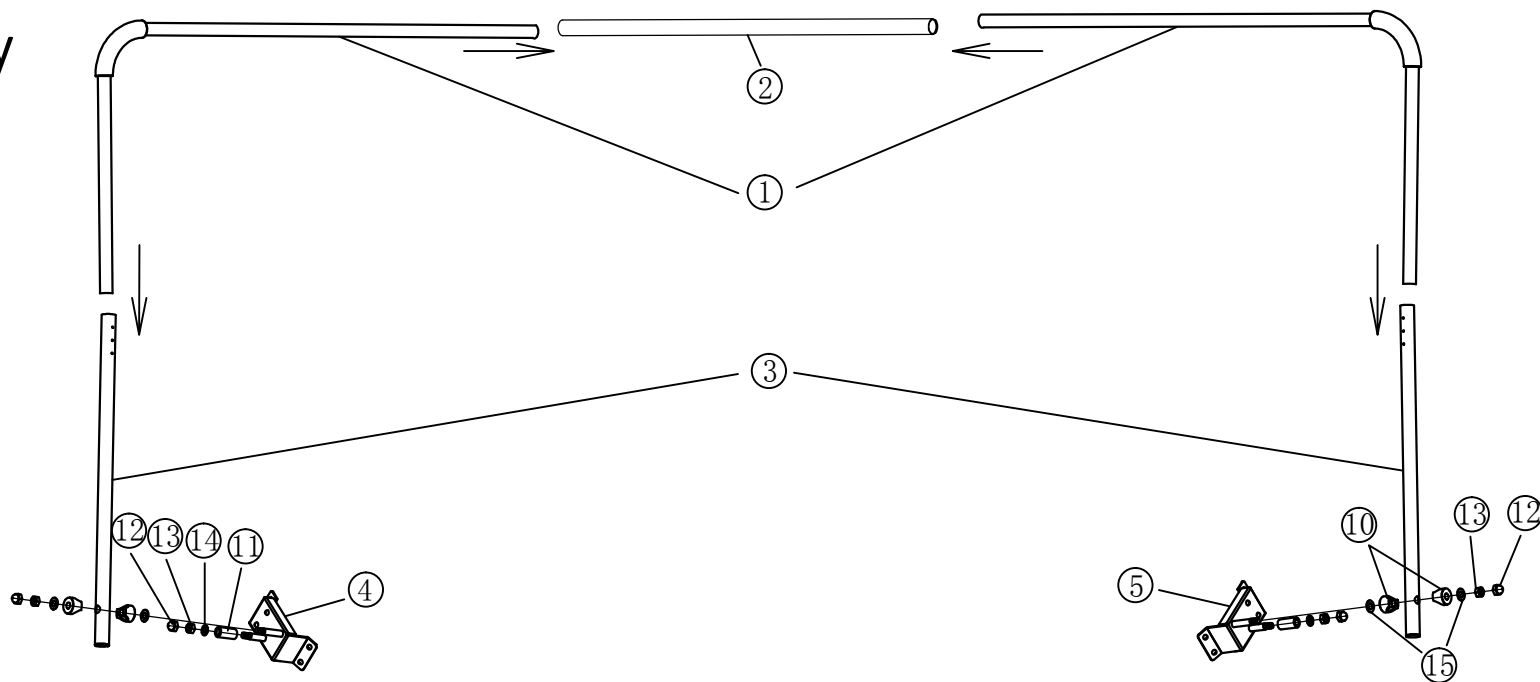
N0	QTY	Shape / name	N0	QTY	Shape / name
①	2		⑬	4	$\phi 12$ 
②	1		⑭	2	$\phi 23$ 
③	2		⑮	4	$\phi 27$ 
④	1	L 	⑯	1	
⑤	1	R 	⑰	1	$\phi 3.2$ 
⑥	26				
⑦	6	 5X80			
⑧	10	 5X30			
⑨	15	 4X19			
⑩	4				
⑪	2				
⑫	4	$\phi 12$ 			



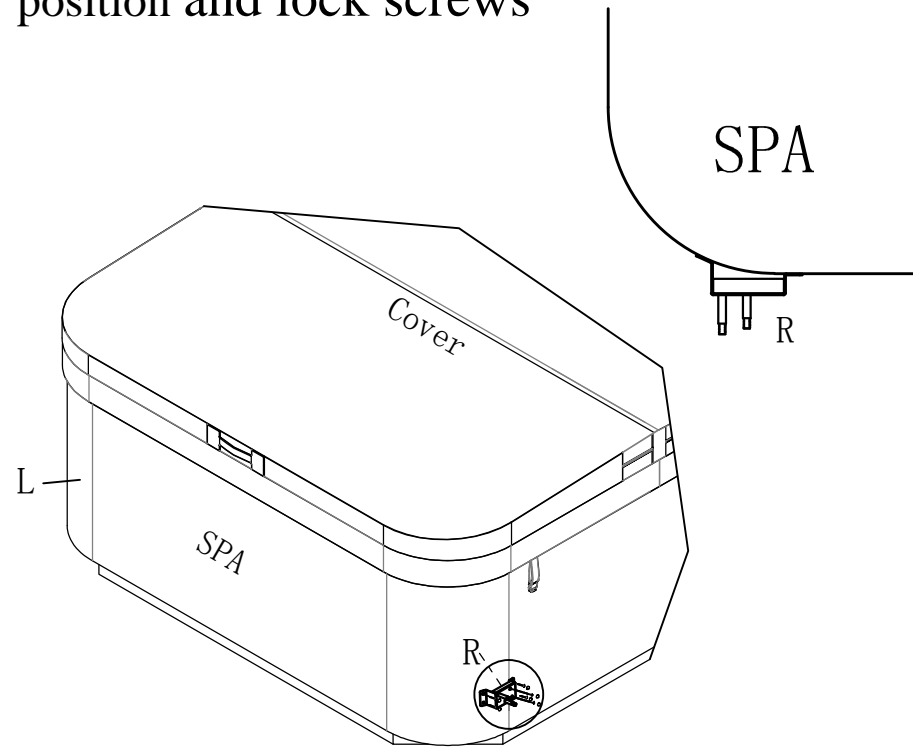
Available dimension :



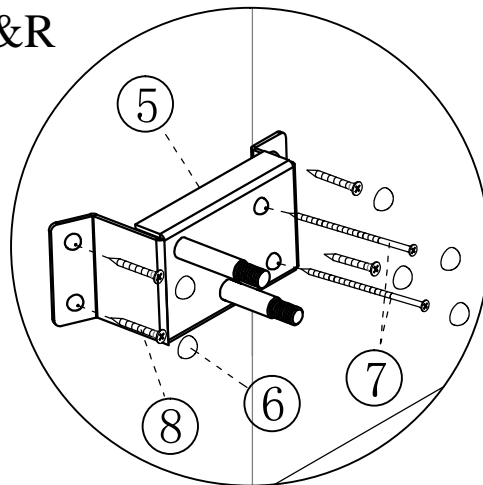
Assembly drawing :



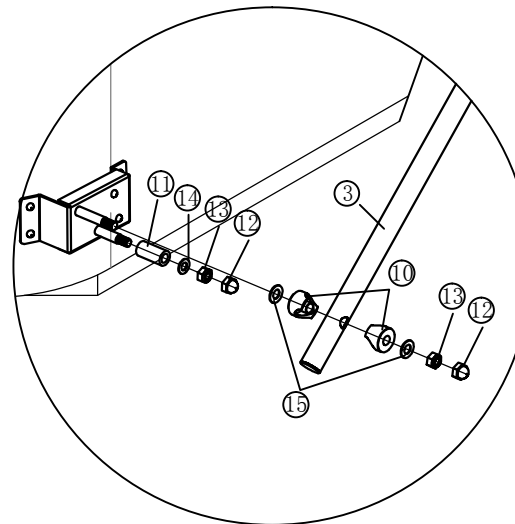
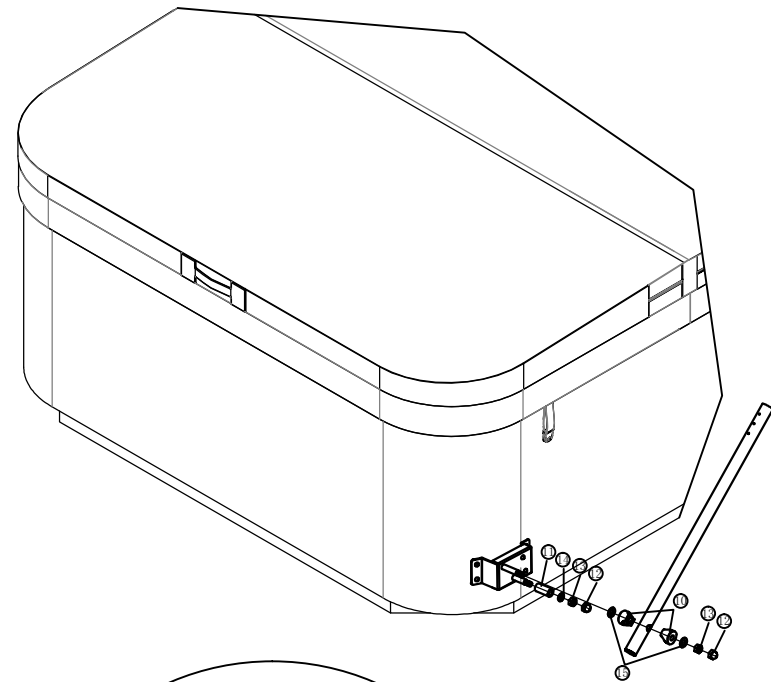
Installation steps One : Arrange the bottom position and lock screws



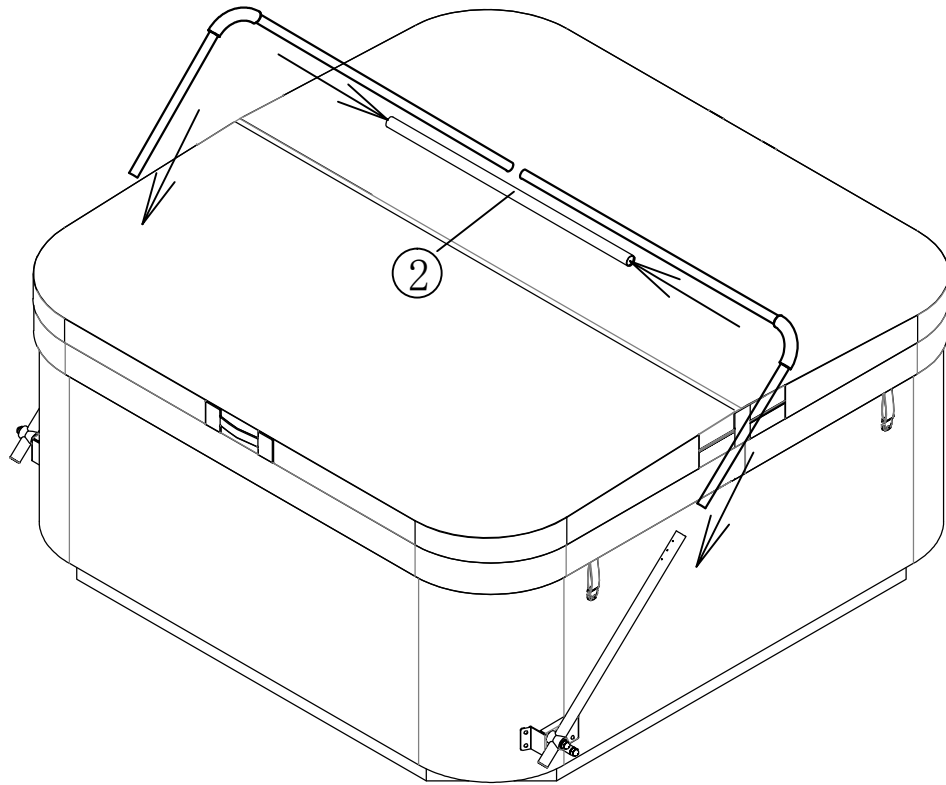
A distinction placed L&R



Installation steps Two: Install the stents on both sides respectively



Installation steps three: lock the stents onto the spa



Installation steps four: Locate the lifter, and lock screws

